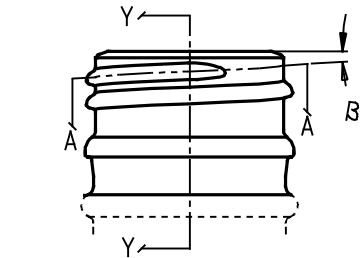
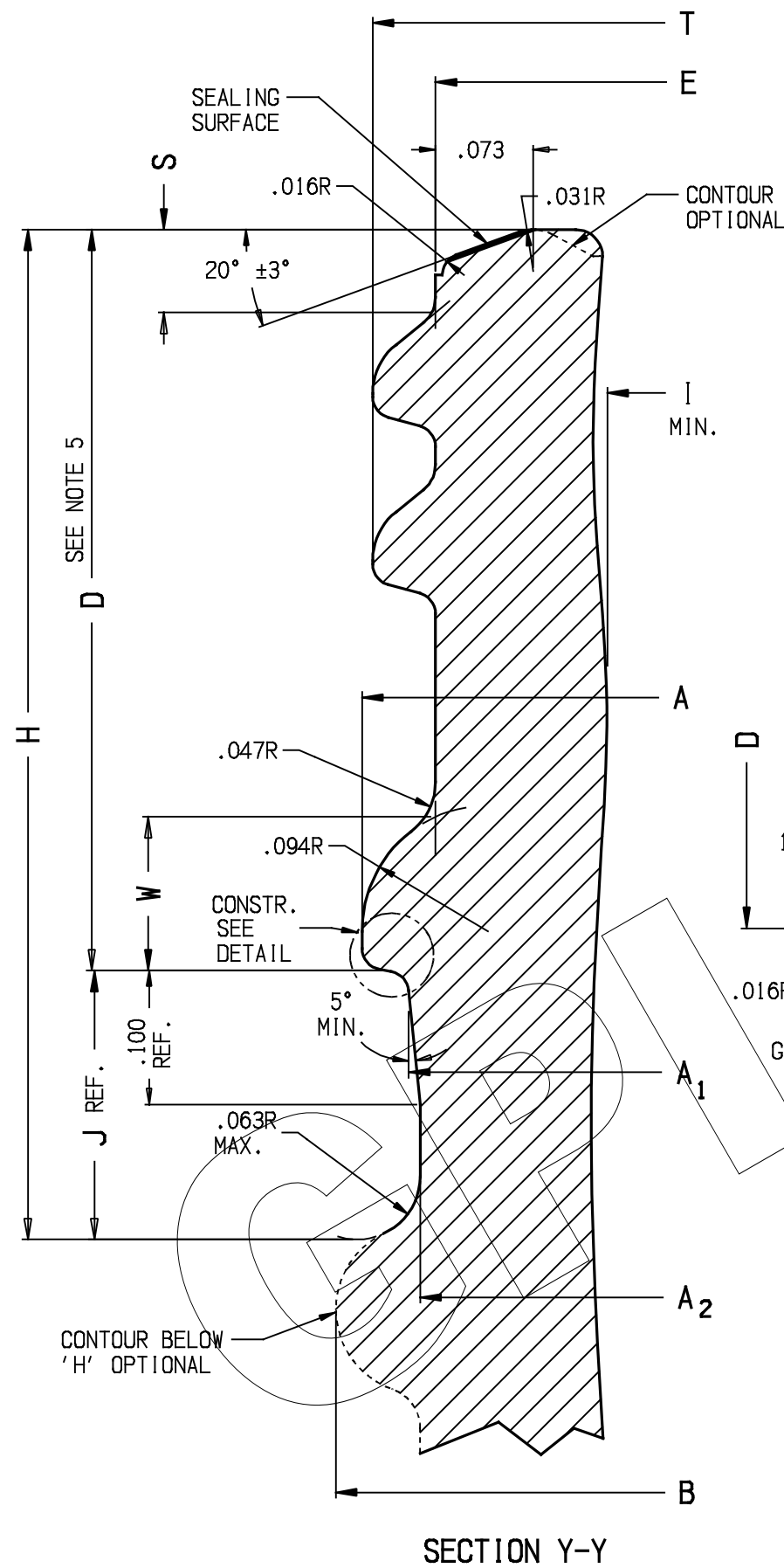
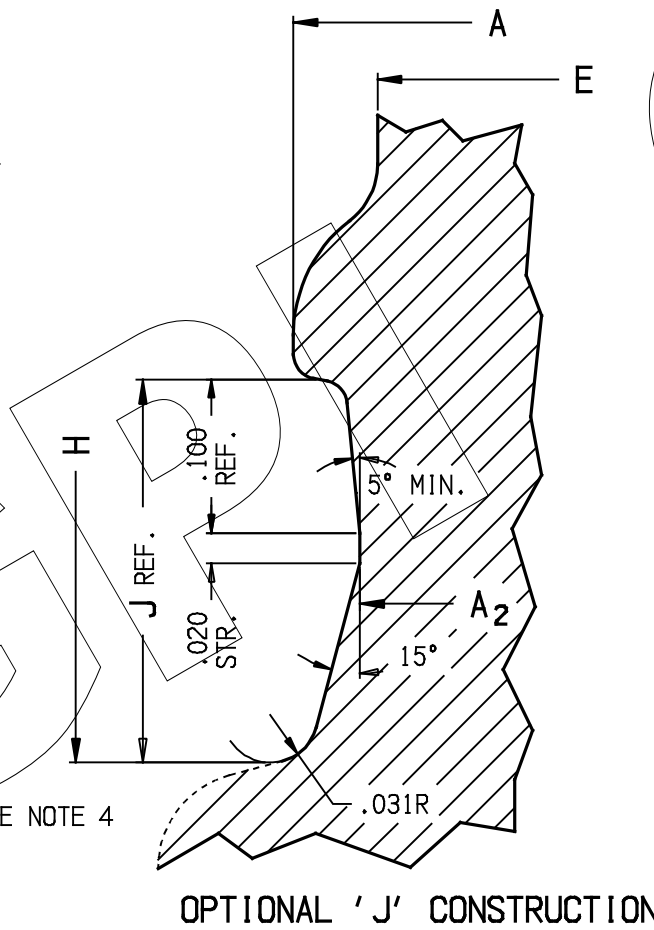
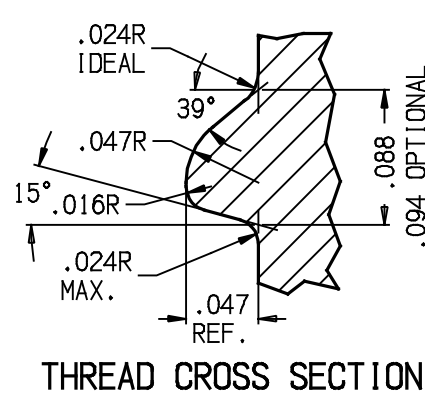
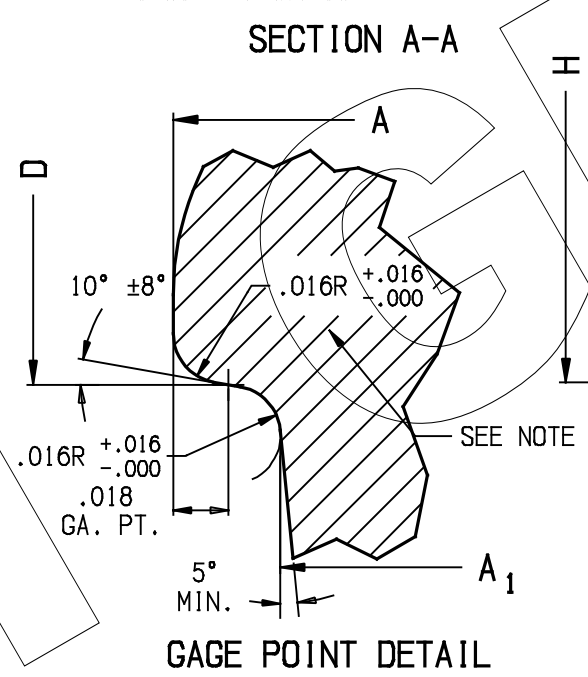


SIZE	T	E	A	A <sub>1</sub>	A <sub>2</sub>	S	B MIN.	D	W CONSTR.	H MIN.	I MIN.	B	CUT. DIA.	T.P.I.
28	1.076 <sup>+0.012</sup> <sub>-.013</sub>	0.982 <sup>+0.012</sup> <sub>-.013</sub>	1.096 <sup>+0.012</sup> <sub>-.013</sub>	1.022 <sup>+0.012</sup> <sub>-.013</sub>	1.005 <sup>+0.012</sup> <sub>-.013</sub>	0.062±.010	1.092	0.554 <sup>+0.008</sup> <sub>-.007</sub>	0.115	0.747	0.680	2° 13'	0.500	8



START AND STOP OF  
THREAD TO CONFORM  
TO CUTTER RADIUS



1. THIS FINISH TO BE SMOOTH TOP CONSTRUCTION.
2. THREAD START TO BE ON CENTER LINE. A MINIMUM OF 1 1/2 TURNS OF FULL THREAD PROJECTION SHOULD BE MAINTAINED, EXCEPT WHERE DEPRESSED ON SEAMS. REFER TO G.P.I. GLASS FINISH NO. 405 FOR DEPRESSED THREAD.
3. 'I' DIMENSION IS MEASURED THROUGH FULL LENGTH OF FINISH.
4. RADIUS TO BE SHARP AS POSSIBLE.
5. 'D' DIMENSION SHOULD BE MEASURED FROM TOP OF FINISH DOWN TO A GAGE POINT IN FROM 'A' DIAMETER.
6. VARIATIONS IN THE 'A' DIAMETER SHOULD FOLLOW THOSE OF THE 'A<sub>1</sub>' DIAMETER IN DIRECTION AND MAGNITUDE SUBJECT TO NORMAL MANUFACTURING CONDITIONS, INCLUDING THE 'A' PROFILE ILLUSTRATED.
7. B = HELIX ANGLE OR ANGLE OF FIXTURE TO CUTTER.
8. TANGENT B =  $\frac{\text{PITCH}}{\pi (\text{MEAN BETWEEN MEAN 'T' AND MEAN 'E'})}$

THIS OFFICIAL GLASS PACKAGING INSTITUTE PRINT CONSTITUTES ONE IN A SERIES OF VOLUNTARY STANDARDS INTENDED TO PROVIDE A BASIS FOR ACHIEVING COMPATIBILITY AND INTERCHANGEABILITY BETWEEN MANUFACTURERS AND USERS OF GLASS CONTAINERS AND CLOSURES THEREFOR. THE USER SHOULD BE AWARE THAT OTHER CONTAINER AND CLOSURE DESIGNS MAY DIFFER FROM THIS VOLUNTARY STANDARD, AND IT IS THE USER'S RESPONSIBILITY TO MAKE THE FINAL DETERMINATION AS TO DESIGN AND COMPATIBILITY. GPI ASSUMES NO RESPONSIBILITY FOR EITHER THE USE OF OR INTERPRETATION OF THE STANDARD, FOR IT BEING CURRENT, OR FOR THE DETERMINATION WHETHER ANY PARTICULAR MANUFACTURER'S PRODUCT CONFORMS TO THE STANDARD. THIS DRAWING CONTAINS INFORMATION TAKEN FROM ONE OR MORE PRINTS OF THE GLASS PACKAGING INSTITUTE (GPI). GPI OWNS ALL RIGHT, TITLE AND INTEREST IN THE COPYRIGHTS TO THIS DRAWING AND TO THESE PRINTS. GPI REQUIRES THAT YOU NOT REPRODUCE THIS DRAWING FOR OR DISTRIBUTE THIS DRAWING TO ANY THIRD PARTY WITHOUT GPI'S WRITTEN CONSENT. ANY INQUIRIES OR SUGGESTIONS CONCERNING THIS STANDARD CAN BE ADDRESSED TO THE GLASS PACKAGING INSTITUTE, WASHINGTON D.C. AT WWW.GPI.ORG.

Edward A. Grant CHAIRMAN		PRINTED AND DISTRIBUTED AS A VOLUNTARY STANDARD BY <b>GLASS PACKAGING INSTITUTE</b> COMMITTEE ON DESIGN AND SPECIFICATIONS		APPROVED FOR PUBLICATION 6-15-05	SUPERSEDES DWG. NO. 350-08
Karl Reisig SECRETARY		GLASS FINISH NUMBER <b>350</b>		GPI DWG. NO.	
28mm LINERLESS TAMPER EVIDENT CLOSURE FINISH				<b>350-09</b>	